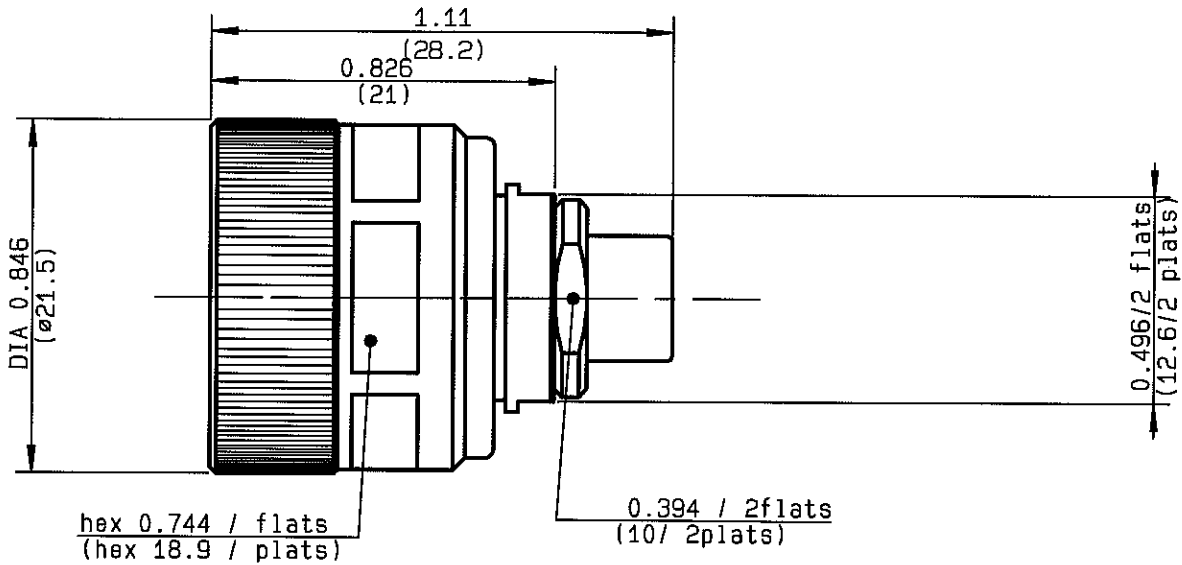


STRAIGHT ADAPTATOR PG7 - BMA FEMALE

R191.039.000

SERIES

ADAPT



NOMINAL IMPEDANCE	50 Ω
FREQUENCY RANGE	0 - 18 GHz
TEMPERATURE RATING	+13/+33 °C
V.S.W.R	1.03 + .007 x F(GHz)Maxi
RF INSERTION LOSS	0.07 √F(GHz) dB Maxi
VOLTAGE RATING	335 Veff Maxi
DIELECTRIC WITHSTANDING VOLTAGE	1000 Veff Mini
INSULATION RESISTANCE	5000 MΩMini
HERMETIC SEAL	Atm.cm ³ /s
LEAKAGE (pressurized only)	
MECHANICAL DURABILITY	Cycles
WEIGHT	39.04 gr
SPECIFICATION	

CABLES :

OTHERS CHARACTERISTICS

CABLE RETENTION	N Mini
CENTER CONTACT RETENTION	
Axial force - mating end	N Mini
Axial force - opposite end	N Mini
Torque	cm.N Mini
RECOMMENDED TORQUES	
Mating	cm.N
Panel nut	cm.N
Clamp nut	cm.N

CONNECTOR PARTS	MATERIALS	FINISH	(all values are given in micrometers)
BODY	STAINLESS STEEL	GOLD 1.3 OVER NICKEL 2	
OUTER CONTACT			
CENTER CONTACT	BERYLLIUM COPPER	GOLD 1.3 OVER NICKEL 2	
INSULATOR	ULTEM	-	
GASKET		-	
OTHERS PIECES	BRASS	NICKEL	

B.E

ISSUE	CREATION DATE	FILE PART-NUMBER
0243J00	06/01/1985	DM-9705-028



RADIALL®

The information given here is subject to change without notice. Design changes may be in order to improve the product.

Connect to the future